

SPEC SHEET
PX103-mV

*Interchangeable with
Model TH-FDS*

FLUSH DIAPHRAGM PRESSURE TRANSDUCER

Stainless Steel Wetted Parts

\$295

Model Shown

**PX103 Series
mV/V Output**

0-5 to 0-20,000 psi

0-350 mbar to 0-1,300 bar

1 bar = 14.5 psi
1 kg/cm² = 14.22 psi
1 Atmosphere = 14.7 psi = 29.93 in-Hg = 760.2 mm-Hg = 1.014 bar

- ☑ All Stainless Steel
- ☑ High Accuracy
- ☑ Gage and Absolute Pressure
- ☑ Flush Diaphragm for Hard-to-Measure Fluids



Model PX103U0-025GV
Shown Larger Than
Actual Size
\$295

The OMEGADYNE™ PX103 Series transducers feature a flush diaphragm in a rugged space saving package. This series is ideal for use with slurries, emulsions, waste water and where other difficult samples are present. All styles are available in psi and Metric ranges. Units can be ordered with their cases sealed from the surrounding atmosphere to provide maximum reliability in harsh industrial environments. A wide variety of fittings are available to help mount the PX103 into your system.

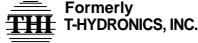
**For Sales and Service
In U.S.A. and Canada**

**1-800-872-3963SM
1-800-USA-DYNE**

**International Customers Dial
(614) 965-9340
24-Hour FAX (614) 965-9438**

OMEGADYNESM FAX
OMEGADYNE's 24-Hour
On-Line Publishing Service
**1-800-344-3963SM
1-800-DIG-DYNE**
Document # 3607

OMEGADYNE, Inc.
149 Stelzer Court, Sunbury, OH 43074
<http://www.omegadyne.com>
e-mail: info@omegadyne.com



► Most Popular Models Highlighted ◀

Prices Shown in U.S. Dollars

To Order: (Specify Model Number)			
Range (psi)	Model Number	Price	Compatible Meters
Absolute Pressure (All Ranges Available in Absolute Pressure)			
0-15	PX103U0-015AV	\$375	INFS, INFCS,
0-25	PX103U0-025AV	375	INFS, INFCS
0-50	PX103U0-050AV	375	INFS, INFCS
Gage Pressure (All Ranges Also Available in Sealed Gage Pressure)			
0-5	PX103U0-005GV	295	INFS, INFCS,
0-15	PX103U0-015GV	295	INFS, INFCS
0-25	PX103U0-025GV	295	INFS, INFCS
0-50	PX103U0-050GV	295	INFS, INFCS
0-100	PX103U0-100GV	339	INFS, INFCS
0-200	PX103U0-200GV	339	INFS, INFCS
0-500	PX103U0-500GV	339	INFS, INFCS
0-1,000	PX103U0-1KGV	339	INFS, INFCS
0-2,000	PX103U0-2KGV	339	INFS, INFCS
0-3,000	PX103U0-3KGV	339	INFS, INFCS
0-5,000	PX103U0-5KGV	339	INFS, INFCS
0-10,000	PX103U0-10KGV	339	INFS, INFCS
0-15,000	PX103U0-15KGV	339	INFS, INFCS*
0-20,000	PX103U0-20KGV	339	INFS, INFCS*

*4-Digit Meter, counts by 10 psi
Interchangeable with Model TH-FDS Metric Ranges Available – Consult Engineering
To order Absolute Pressure ranges change the "G" in the part number to an "A" (add \$80).
To order Sealed Gage Pressure models, change "G" in the part number to an "S", no charge.
To order extra cable length, add suffix "-(Length of cable in feet)" add \$2.00/ft extra.
Ordering Examples: 1) PX103U0-050GV is a 50 psi Gage Pressure transducer, \$295.
2) PX103U0-100AV is a 100 psi Absolute Pressure transducer, \$419.
3) PX103U0-200SV-25FT is a 200 psi Sealed Gage Pressure transducer with 25 ft. cable, \$339 + \$44 = \$383.

FLUSH DIAPHRAGM PRESSURE TRANSDUCER

Stainless Steel Wetted Parts

SPECIFICATIONS: mV/V Output

Electrical:

Excitation: 5 V ac/dc (6 V max)

Output: 20 mV/V $\pm 1\%$ (100mV FSO)

Input Resistance: 150 Ohms ± 50

Output Resistance: 115 Ohms ± 25

Zero Balance: $\pm 5\text{mV}$ @ 25°C

Performance:

Accuracy Class: 5-50 psi: $\pm 1\%$

100-5000 psi: $\pm 0.25\%$

>5000 psi: $\pm 1\%$ Linearity, Hysteresis
and Repeatability Combined

Environmental:

Operating Temp Range:

-54 to +93°C (-65 to +200°F)

Compensated Temp Range:

-1 to +54°C (+30 to +130°F)

Thermal Effects:

(within compensated range)

Ranges >5000 psi & ≤ 50 psi:

Span: $\pm 2\%$ FSO, Zero: $\pm 5\%$ FSO

Ranges 100 to 5000 psi:

Span: $\pm 1\%$ FSO, Zero: $\pm 1\%$ FSO

Pressure:

Proof Pressure: 200% of Capacity

Burst Pressure: 500% of Capacity
minimum

Mechanical:

Wetted Parts:

Ranges ≤ 50 psi: 316 Stainless Steel

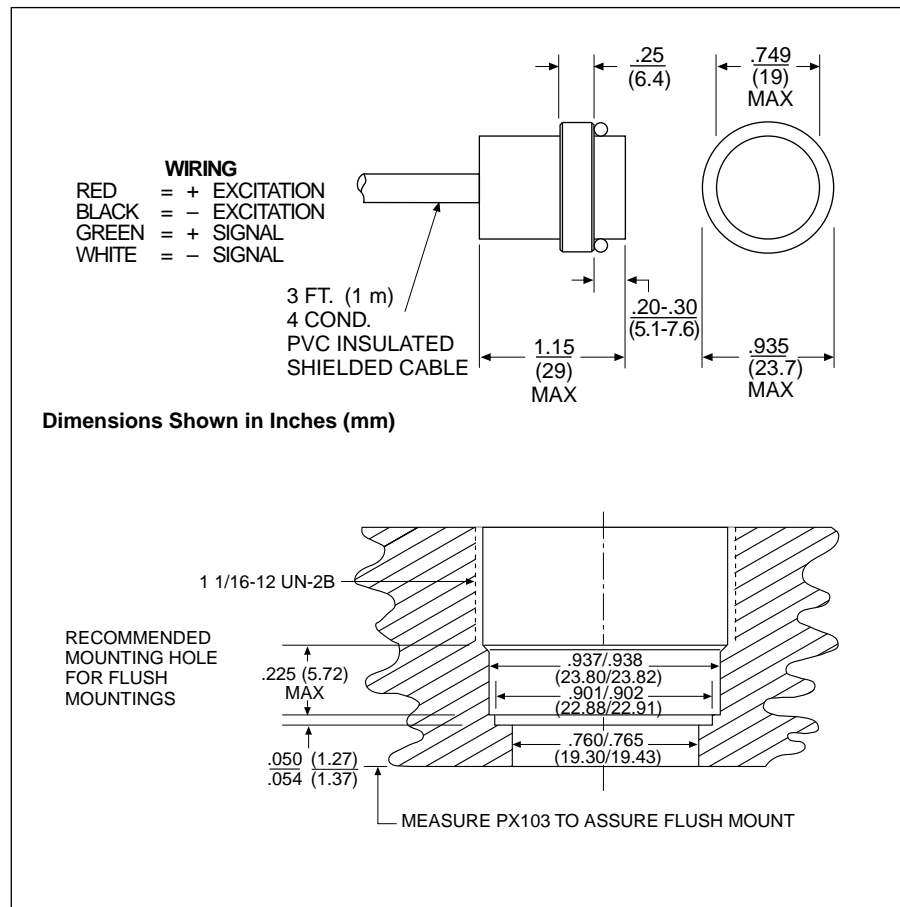
Ranges >50psi: 17-4 or 15-5 PH
Stainless Steel

Pressure Port: Flush Diaphragm

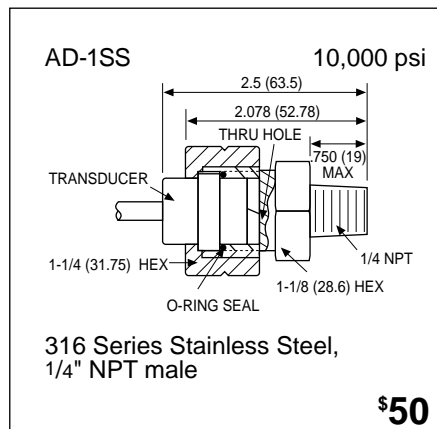
O-Ring: #2-018 (not included)

Electrical Connections: 3 ft (1m)

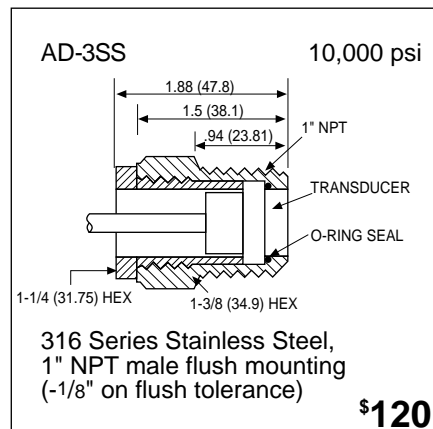
4-conductor, PVC insulated,
shielded cable



Flush Mount Adaptors for Series PX103 Transducers



O-Ring Provided with Each Adaptor.



"O" RINGS

Viton or Polyurethane

Use for pressures under
10,000 psi:

#2-018-V

VITON \$10/Pk of 10

Use for pressures of
10,000 psi and higher:

#2-018-P

POLYURETHANE \$10/Pk of 10

Look for OMEGADYNE Products on the World Wide Web!

<http://www.omegadyne.com>

e-mail: info@omegadyne.com